

Model#

C02001213N3A

2-way, Guided Pilot Diaphragm solenoid valve, Normally Closed

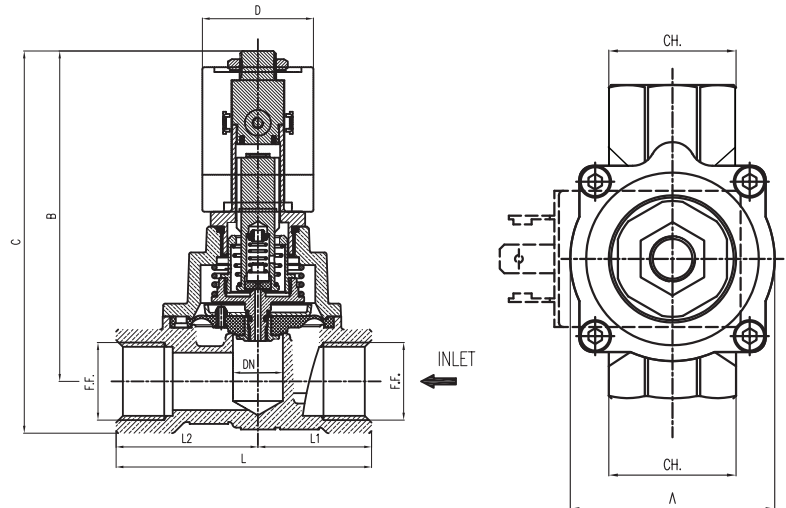
Technical Specifications

| | | | |
|---------------------|-------------------------------|---------------------|-------------------|
| Pipe Size (Inch) | Orifice Size (Inch) | Flow Factor (CV) | |
| 1/2" | 1/2" | 4 | |
| Voltage | Power | Min. Pressure (PSI) | Max Pressure (AC) |
| 230VAC | 17VA | 0 | 174 |
| Temperature Range | Medium Examples | Sealing Material | |
| -4° - 194° F | Light Oils, Air, Water | NBR | |



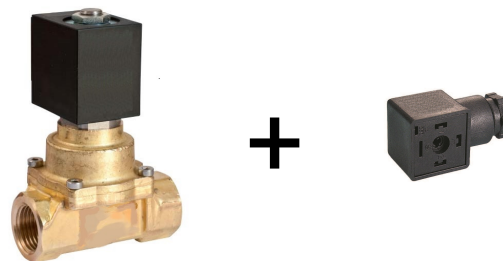
Valve Dimensions

| | |
|---------|---------|
| (F.F.): | 1/2" |
| (DN): | 1/2" |
| (L): | 2 3/4" |
| (L1): | 1 3/16" |
| (L2): | 1 1/2" |
| (A): | 1 3/4" |
| (B): | 3 1/2" |
| (C): | 4 1/16" |
| (D): | 1 3/16" |
| (CH): | 1 1/8" |



Electrical Connection

| | |
|--------------------------|---------------|
| Rating: | NEMA 4/ IP 65 |
| Strain Relief Connector: | Model 020 |



Note: Valve is pictured above with a sample coil, which may or may not reflect exact specifications of this particular build.