

Model#
C02001213N2A

2-way, Guided Pilot Diaphragm solenoid valve, Normally Closed

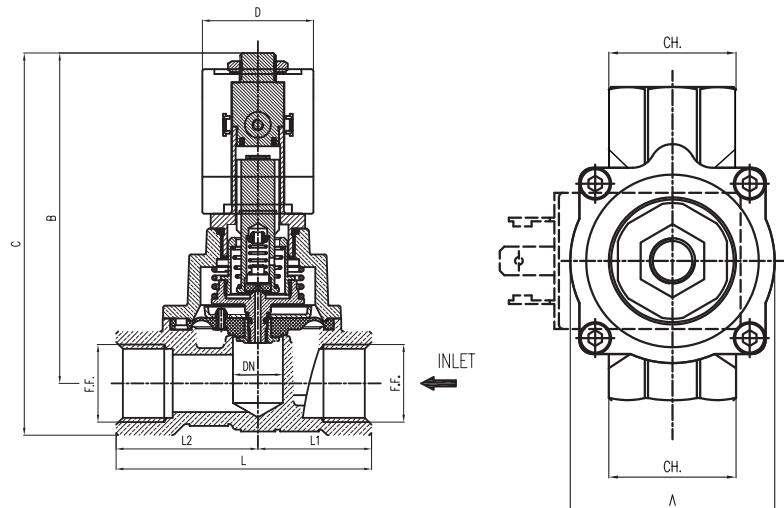
Technical Specifications

Pipe Size (Inch)	Orifice Size (Inch)	Flow Factor (CV)	
1/2"	1/2"	4	
Voltage	Power	Min. Pressure (PSI)	Max Pressure (AC)
24VAC	17VA	0	174
Temperature Range	Medium Examples	Sealing Material	
-4° - 194° F	Light Oils, Air, Water	NBR	



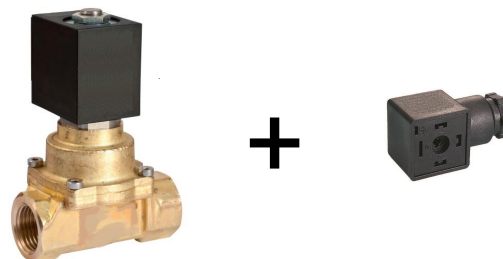
Valve Dimensions

(F.F.):	1/2"
(DN):	1/2"
(L):	2 3/4"
(L1):	1 3/16"
(L2):	1 1/2"
(A):	1 3/4"
(B):	3 1/2"
(C):	4 1/16"
(D):	1 3/16"
(CH):	1 1/8"



Electrical Connection

Rating:	NEMA 4/ IP 65
Strain Relief Connector:	Model 020



Note: Valve is pictured above with a sample coil, which may or may not reflect exact specifications of this particular build.