

Model#

C02010026F1A

2-way, Guided Pilot Diaphragm solenoid valve, Normally Closed

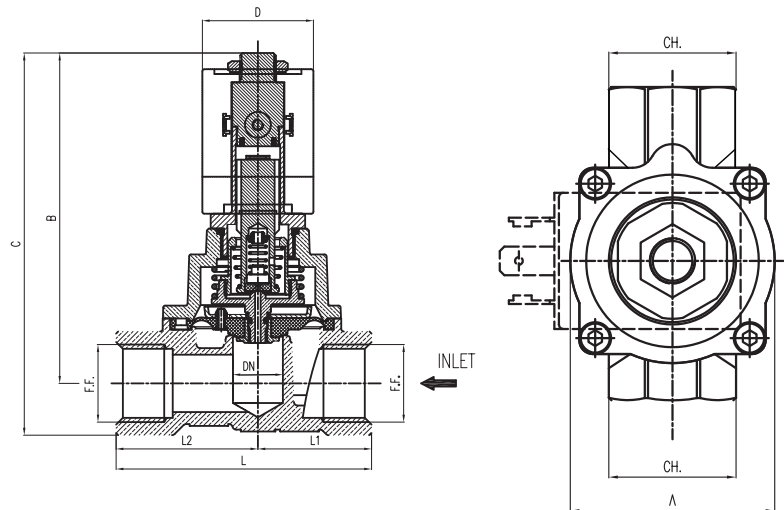
Technical Specifications

Pipe Size (Inch)	Orifice Size (Inch)	Flow Factor (CV)
1"	1"	10.9
Voltage	Power	Min. Pressure (PSI)
120VAC	17VA	0
		Max Pressure (AC)
		116
Temperature Range	Medium Examples	Sealing Material
5° - 320° F	Light Oils, Air, Water	FKM



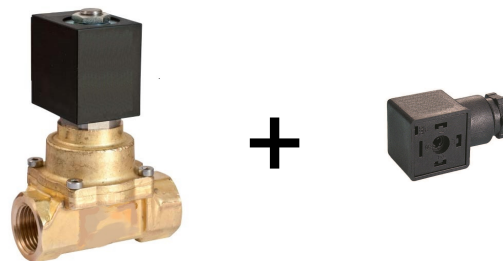
Valve Dimensions

(F.F):	1"
(DN):	1"
(L):	3 11/16"
(L1):	1 11/16"
(L2):	1 15/16"
(A):	2 13/16"
(B):	3 7/8"
(C):	4 11/16"
(D):	1 3/16"
(CH):	1 5/8"



Electrical Connection

Rating:	NEMA 4/ IP 65
Strain Relief Connector:	Model 020



Note: Valve is pictured above with a sample coil, which may or may not reflect exact specifications of this particular build.