

Model#  
**C02010026N3A**

2-way, Guided Pilot Diaphragm solenoid valve, Normally Closed

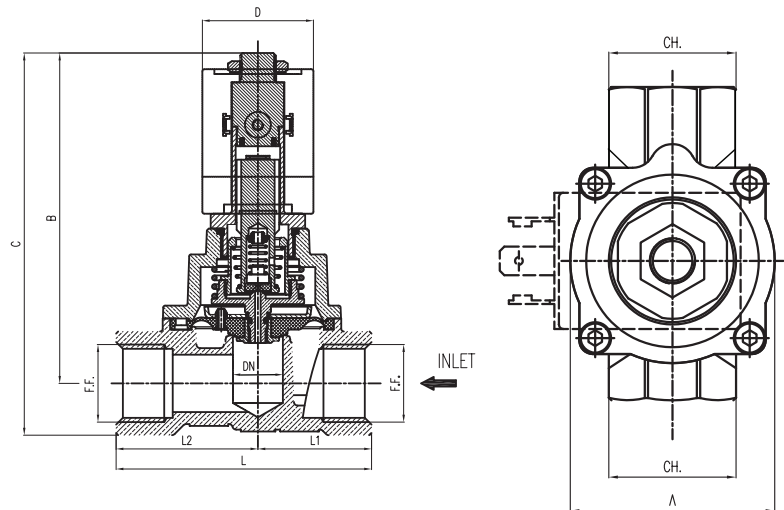
### Technical Specifications

|                     |                               |                     |
|---------------------|-------------------------------|---------------------|
| Pipe Size (Inch)    | Orifice Size (Inch)           | Flow Factor (CV)    |
| <b>1"</b>           | <b>1"</b>                     | <b>10.9</b>         |
| Voltage             | Power                         | Min. Pressure (PSI) |
| <b>230VAC</b>       | <b>17VA</b>                   | <b>0</b>            |
|                     |                               | Max Pressure (AC)   |
|                     |                               | <b>116</b>          |
| Temperature Range   | Medium Examples               | Sealing Material    |
| <b>-4° - 194° F</b> | <b>Light Oils, Air, Water</b> | <b>NBR</b>          |



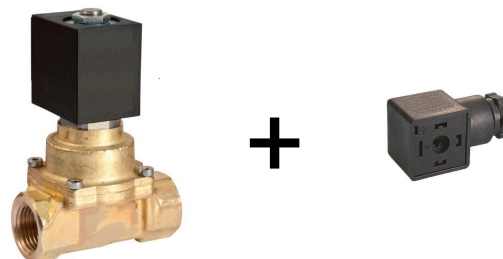
### Valve Dimensions

|         |          |
|---------|----------|
| (F.F.): | 1"       |
| (DN):   | 1"       |
| (L):    | 3 11/16" |
| (L1):   | 1 11/16" |
| (L2):   | 1 15/16" |
| (A):    | 2 13/16" |
| (B):    | 3 7/8"   |
| (C):    | 4 11/16" |
| (D):    | 1 3/16"  |
| (CH):   | 1 5/8"   |



### Electrical Connection

|                          |               |
|--------------------------|---------------|
| Rating:                  | NEMA 4/ IP 65 |
| Strain Relief Connector: | Model 020     |



Note: Valve is pictured above with a sample coil, which may or may not reflect exact specifications of this particular build.