

Model#

# C02003811N2A

2-way, Guided Pilot Diaphragm solenoid valve, Normally Closed

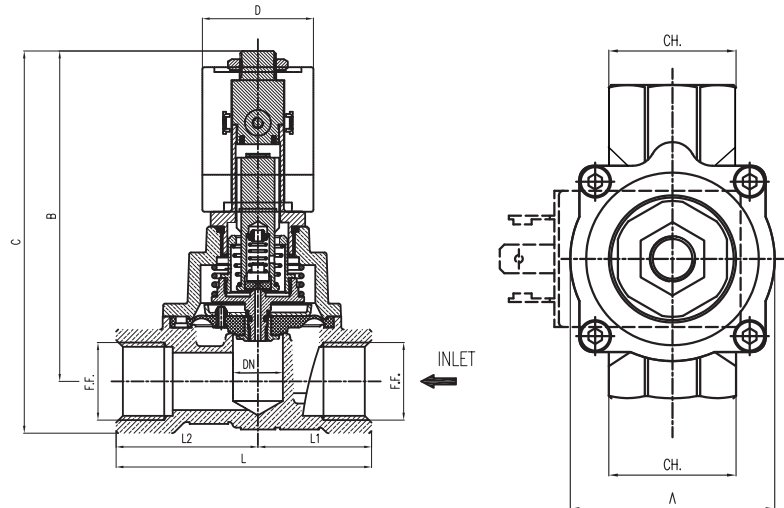
### Technical Specifications

Pipe Size (Inch)	Orifice Size (Inch)	Flow Factor (CV)
<b>3/8"</b>	<b>7/16"</b>	<b>3</b>
Voltage	Power	Min. Pressure (PSI)
<b>24VAC</b>	<b>17VA</b>	<b>0</b>
		Max Pressure (AC)
		<b>174</b>
Temperature Range	Medium Examples	Sealing Material
<b>-4° - 194° F</b>	<b>Light Oils, Air, Water</b>	<b>NBR</b>



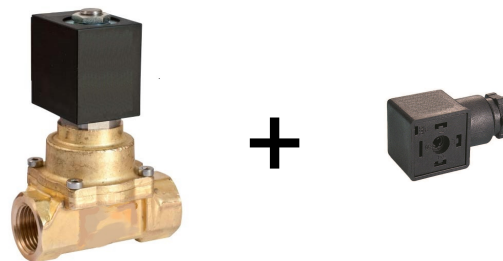
### Valve Dimensions

(F.F.):	3/8"
(DN):	7/16"
(L):	2 1/2"
(L1):	1 1/8"
(L2):	1 7/16"
(A):	1 3/4"
(B):	3 1/2"
(C):	4 1/16"
(D):	1 3/16"
(CH):	1 1/8"



### Electrical Connection

Rating:	NEMA 4/ IP 65
Strain Relief Connector:	Model 020



Note: Valve is pictured above with a sample coil, which may or may not reflect exact specifications of this particular build.