

Model#

C02003418E3A

2-way, Guided Pilot Diaphragm solenoid valve, Normally Closed

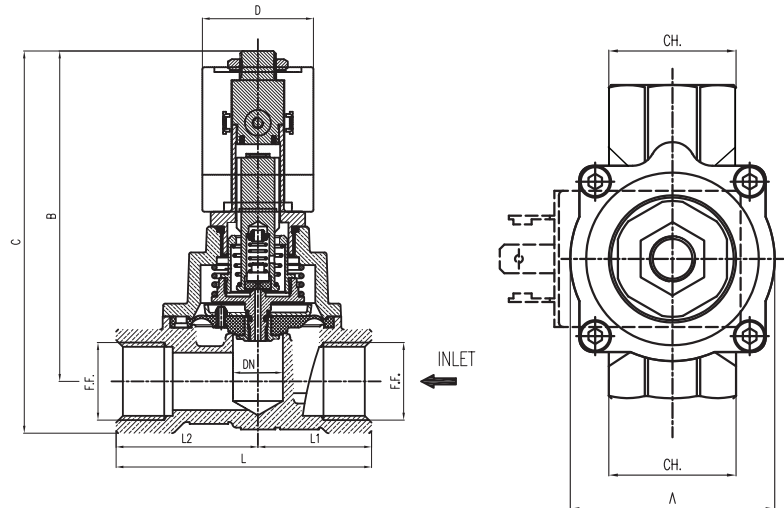
Technical Specifications

| | | |
|----------------------|-------------------------------|---------------------|
| Pipe Size (Inch) | Orifice Size (Inch) | Flow Factor (CV) |
| 3/4" | 11/16" | 6.7 |
| Voltage | Power | Min. Pressure (PSI) |
| 230VAC | 17VA | 0 |
| | | Max Pressure (AC) |
| | | 116 |
| Temperature Range | Medium Examples | Sealing Material |
| -22° - 293° F | Light Oils, Air, Water | EPDM |



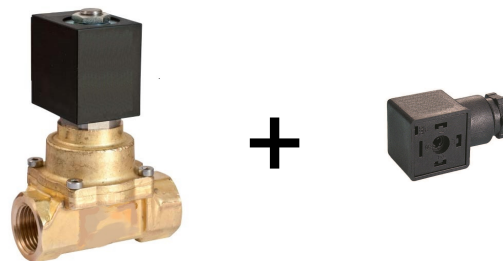
Valve Dimensions

| | |
|---------|----------|
| (F.F.): | 3/4" |
| (DN): | 11/16" |
| (L): | 3 11/16" |
| (L1): | 1 11/16" |
| (L2): | 1 15/16" |
| (A): | 2 13/16" |
| (B): | 3 7/8" |
| (C): | 4 11/16" |
| (D): | 1 3/16" |
| (CH): | 1 5/8" |



Electrical Connection

| | |
|--------------------------|---------------|
| Rating: | NEMA 4/ IP 65 |
| Strain Relief Connector: | Model 020 |



Note: Valve is pictured above with a sample coil, which may or may not reflect exact specifications of this particular build.